

# ADES

# MACRO

## LED Street Light

30W/60W/80W/100W/120W/150W/180W/200W/240W

### MT10

[www.ades-lighting.vn](http://www.ades-lighting.vn)



# Macro LED Street Light



## Product Description

- The LED macro street light is a classic and mature product, providing customized service for customers. Various wattages from 30W-240W are available, and the whole light efficiency can reach up to 150lm/W.
- Smooth lamp body design, no accumulation of rainwater and bird droppings, self-cleaning, large area heat dissipation, longer service life.
- Low energy consumption, using high-efficiency constant current drive, saving 60% energy; with over-current, over-voltage, lightning, high temperature protection, to fully ensure product life and stable performance.
- Support a variety of intelligent control function expansion
- 10KV/20KV shock and surge protection
- IP66&IK08 protection grade
- 5 year warranty repair



# Macro LED Street Light

## Key Features

### Smart Controller

After installing the light controller, the brightness of the lamp body can be adjusted according to the needs of use, and the lamp source can be automatically turned on and automatically turned off.



### Nameplate customization

Laser engraving custom brand LOGO, words



### Modular LED lens design

Optional light distribution curve available with optics  
Type I-M, Type II-M, Type II-(S/M).



### LED Power Supply

- Avariety of drivers are available.  
- 5-7years warranty



### Rotating Shaft

Swivel pivot bracket for horizontal or vertical installation.  
It can be adjusted freely according to the installation environment, and the installation is convenient and simple.



### Black tempered glass panel

The transmittance is as high as 98%, and the luminous rate of the whole lamp is as high as 150Lm/W.



### Imported Breather

Lamp breather ensures air balance inside and outside of the luminaire which improves the street lights' service life.



### Wireless control system

To establish smart city operation,energy conservation and environmental protection.

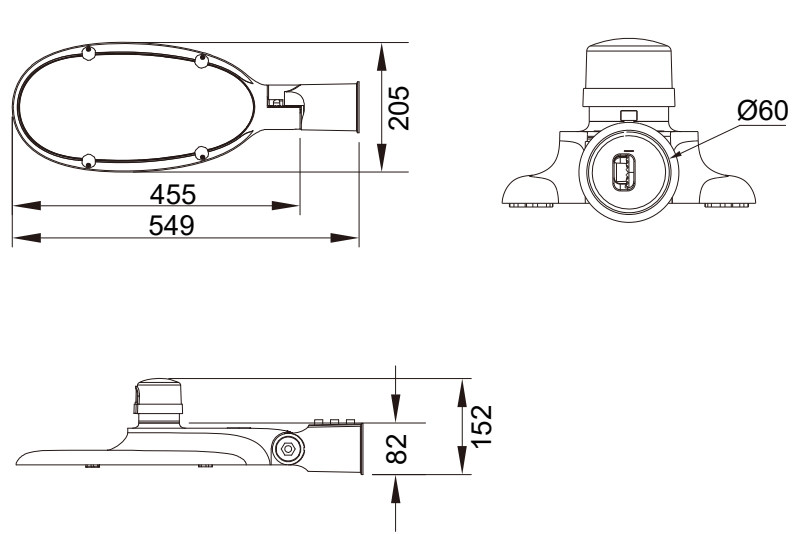


# Macro LED Street Light

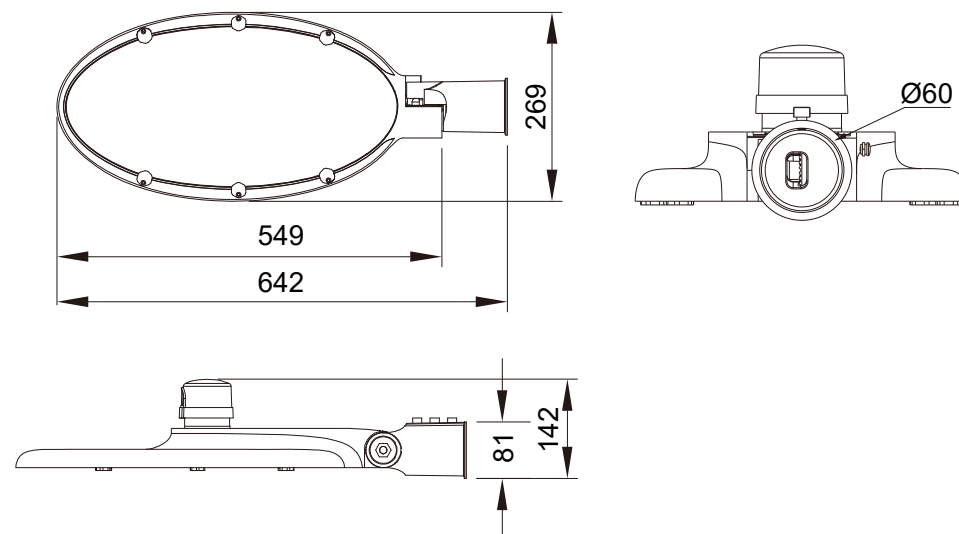
## Product size

Unit: mm

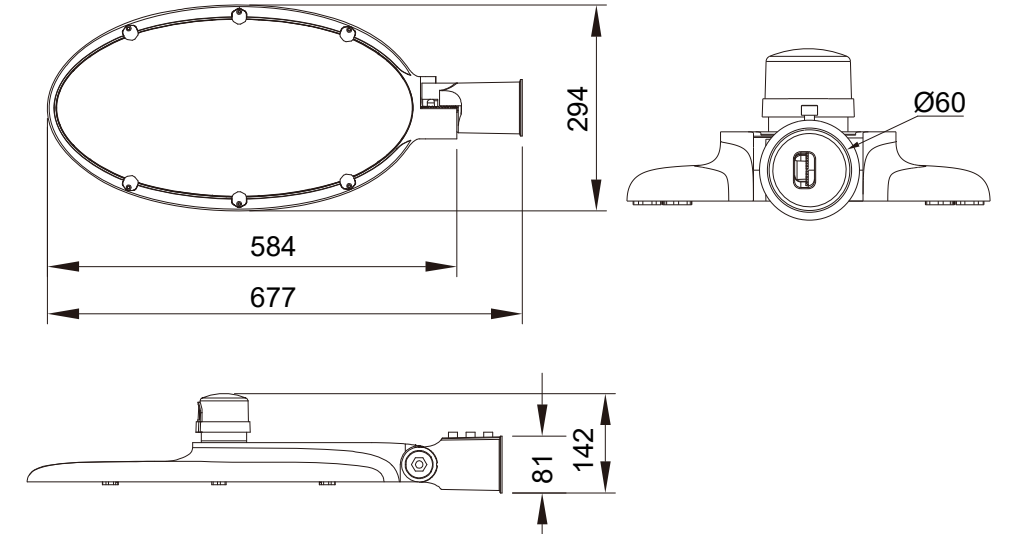
Installation pipe diameter:  $\text{Ø}42\text{-}60\text{mm}$



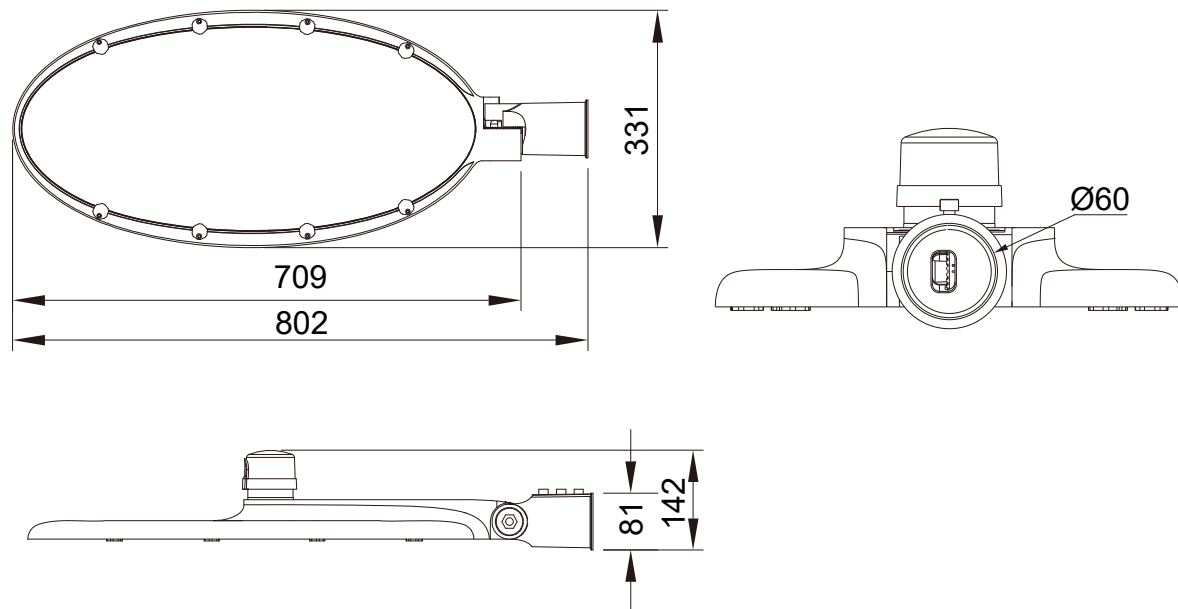
Model: MT10-30W/60W



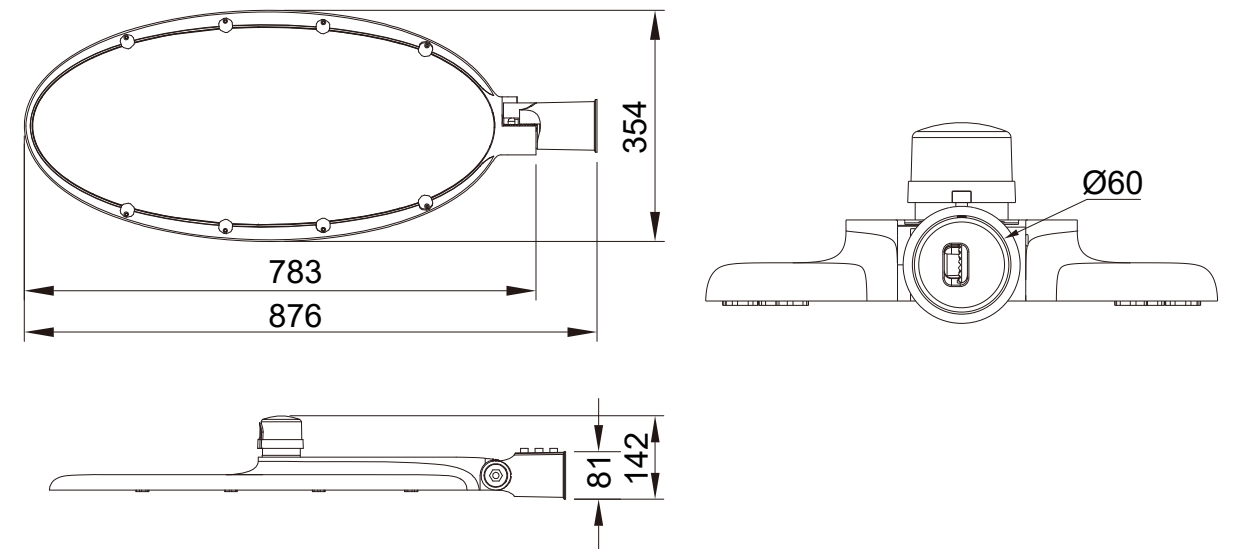
Model: MT10-80W/100W



Model: MT10-120W/150W



Model: MT10-180W/200W

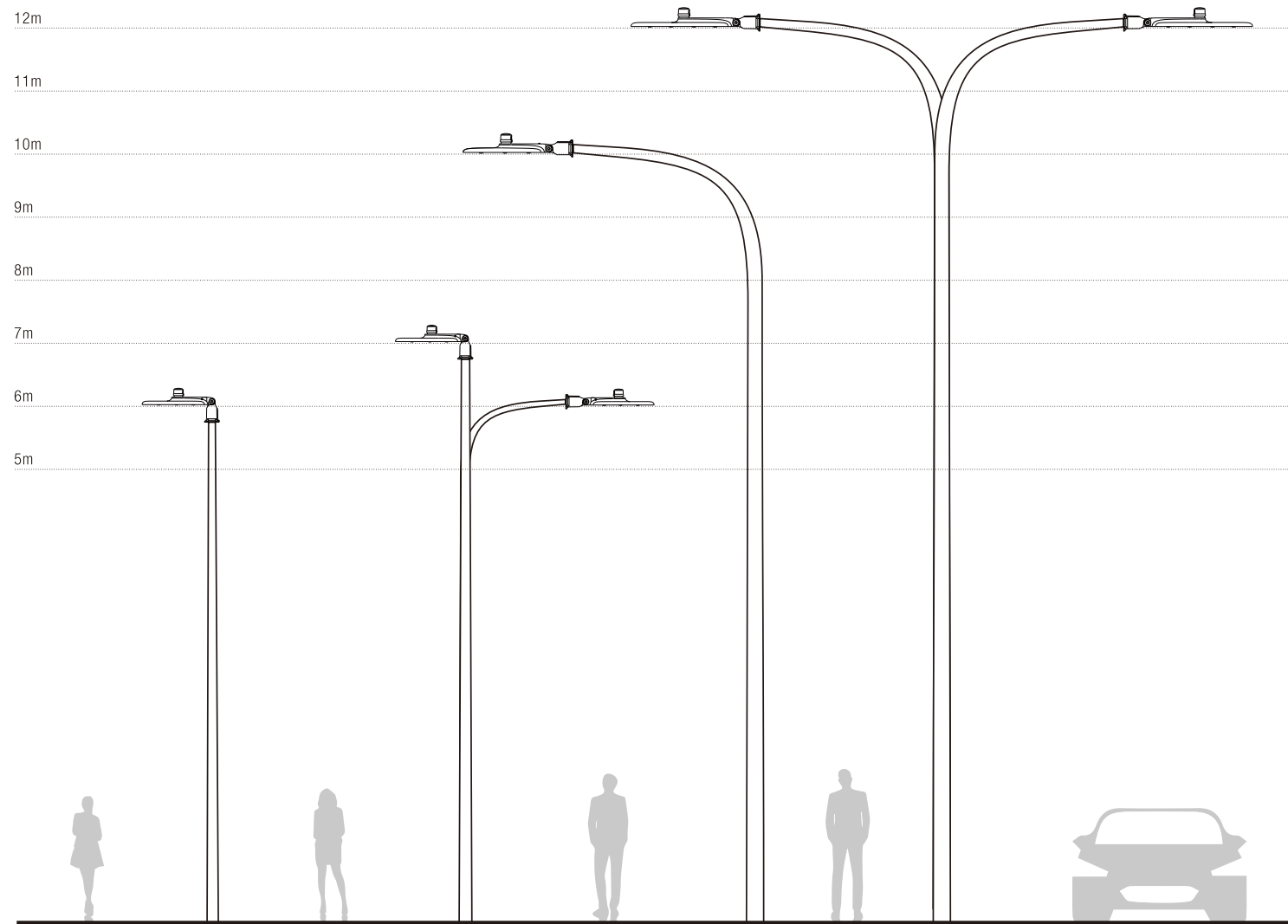


Model: MT10-240W

# Macro LED Street Light

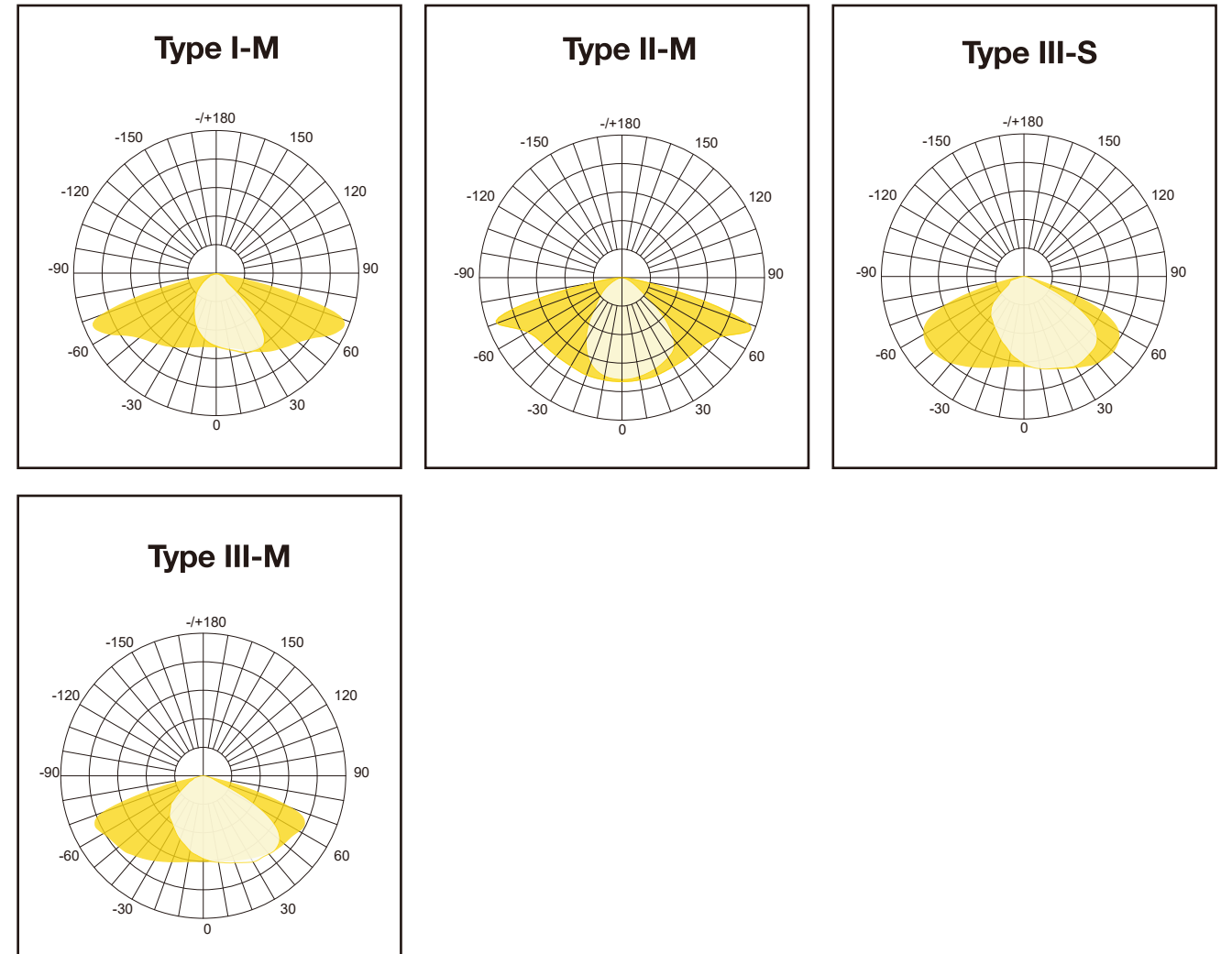
## Selection of pole height and wattage

Macro LED street light can be the best lighting for the road. Adjust mounting angle makes it easier to install the luminaire in the ideal position for optimal road lighting.

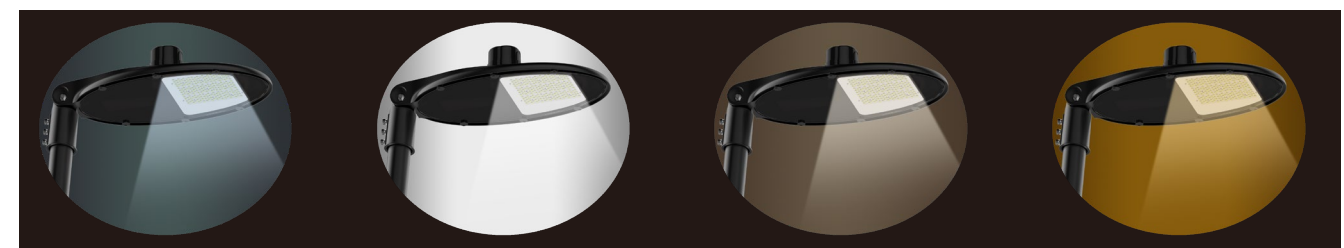


Height of pole	Distance between poles	Types of lanes	Traditional lamp	LED Street light
6 M	14-18 M	Single lane	150W	65W
8 M	20-30 M	Two lane	250W	120W
10 M	30-40 M	Three lanes	300W	150W
12 M	40-50 M	Four lanes	400W	200W
15M	50-60 M	Four lanes	600W	240W

## Light distribution angle



## Color temperature reference chart



Cold light  
6500~5500

Daylight  
5500~4500

Warm light  
4500~3300

yellow light  
3300~2700

# Macro LED Street Light

## Products parameter&Install

### Electric Data

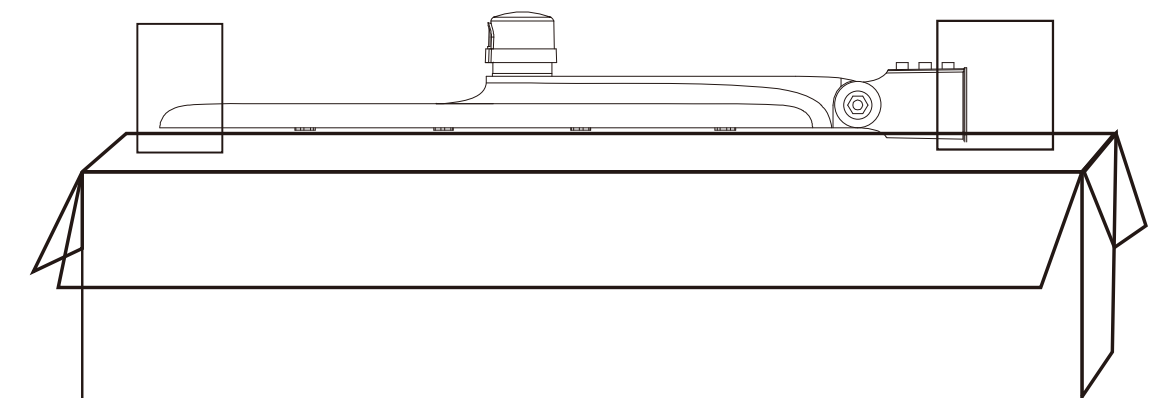
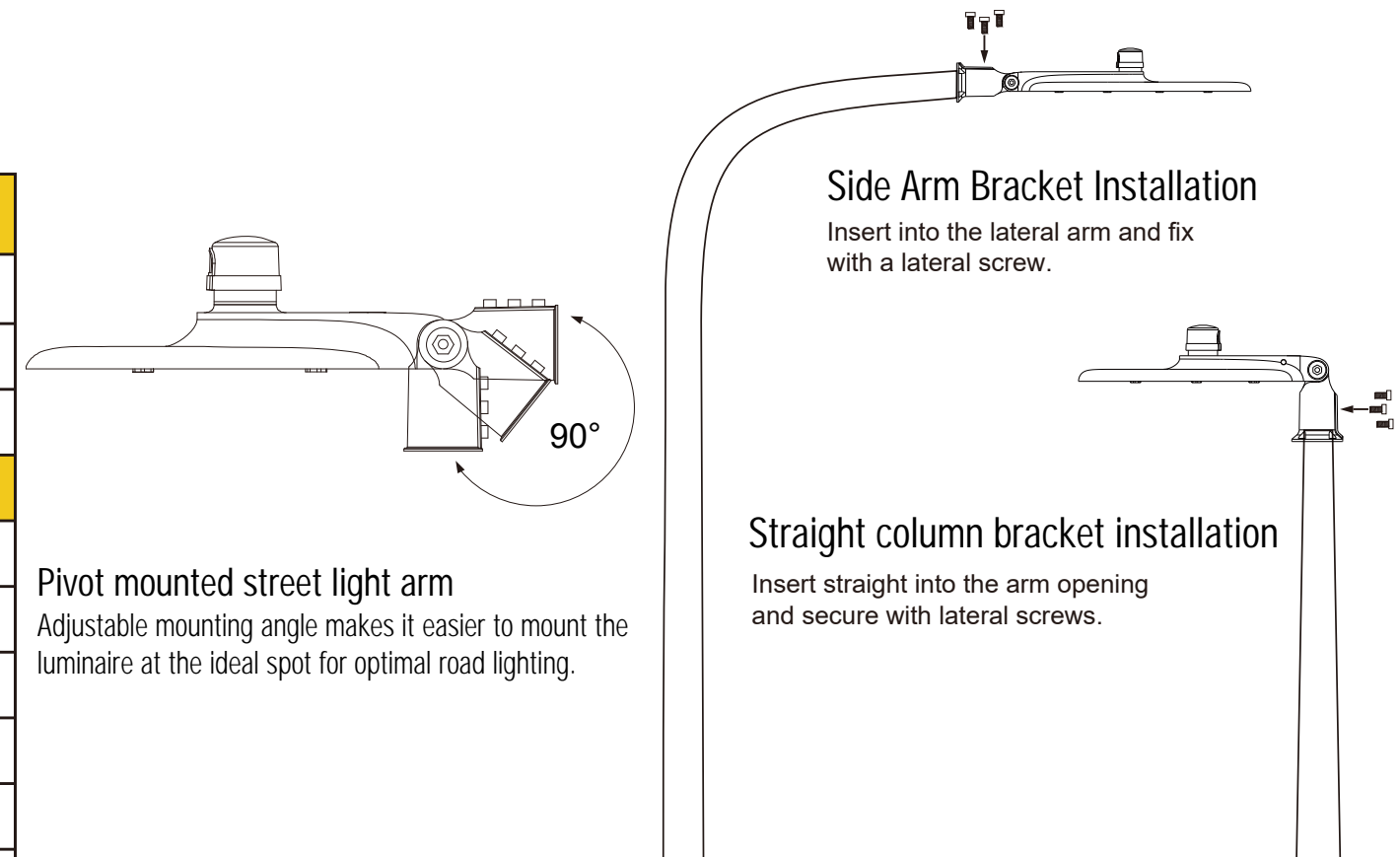
Model	MT10-30W	MT10-60W	MT10-80W	MT10-100W	MT10-120W	MT10-150W	MT10-180W	MT10-200W	MT10-240W
Power	30W	60W	80W	100W	120W	150W	180W	200W	240W
Input Vol.	AC100-277V, 50/60Hz								

### Photometric Specifications

Driver	PHILIPS								
LED Chip	LUMILEDS 3030 / 5050								
CRI	CRI70								
CCT	6500~2700								
Optical type	Type IM, Type IIM, Type III S/M								
Luminous Efficiency	150Lm/W								
Luminous Flux(±5%)	4500Lm/W	9000Lm/W	12000Lm/W	15000Lm/W	18000Lm/W	22500Lm/W	27000Lm/W	30000Lm/W	36000Lm/W

### Mechanical Specifications

Protection level	IP66&IK08								
Surge Protection	10KV/20KV								
Operating temperature	-40°C~50°C,20%~90%RH								
Storage Temperature	-20°C~60°C.10%~90% RH								
Body Material	Aluminum die-casting								
Lens Material	PC Lens&Toughened Glass								
Installation height	3m-18m								
Warranty	5~7 years								
Certification&Test	CE/ROHS/EMC/LM79TM21/ISTMT/3G Vibration Test/Photo-Biological Tes								
Lamp body size(mm)	549X205X152	549X205X152	642X269X142	642X269X142	677X294X142	677X294X142	802X331X142	802X331X142	876X354X142
Cartonsize(mm)	620X275X140	620X275X140	747X360X165	747X360X165	782X362X165	782X362X165	910X410X165	910X410X165	985X410X165
Luminaire G.W	4.8Kg	4.8Kg	8.5Kg	8.7Kg	9Kg	9.2Kg	10Kg	10.5Kg	11.5Kg



### ⚠ Caution:

1. Please read the installation instruction carefully before installing;
2. The brown wire is live line (L), the blue wire is zero line (N) and the green yellow wire is earth line (⏚);
3. Do not close to the place with heat source to prevent damaging the LED Street Light for high temperature;
4. Ensure right wiring;
5. Do not disassemble the LED Street Light without permission;
6. Please cut off the power source before installation or repair;

# ADES



Tel: +84-975-206-222

[www.ades-lighting.vn](http://www.ades-lighting.vn)

Address: 4th FL Zen Tower, 12 Khuat Duy Tien Street  
Thanh Xuan Trung Ward, Thanh Xuan District, Ha Noi City, Viet Nam

